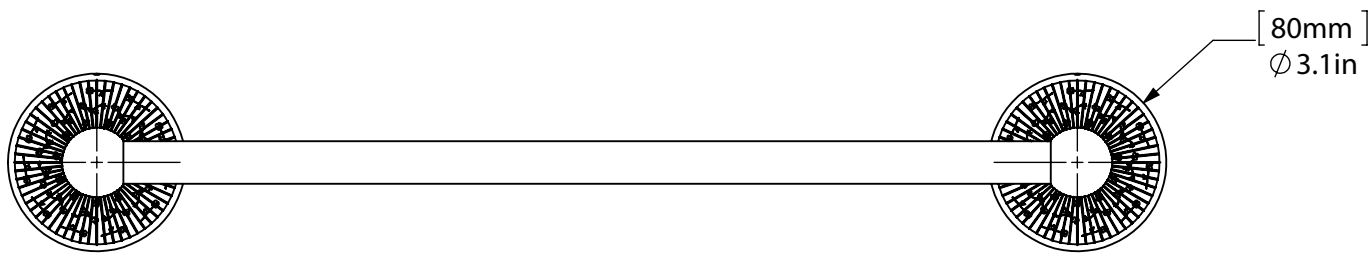
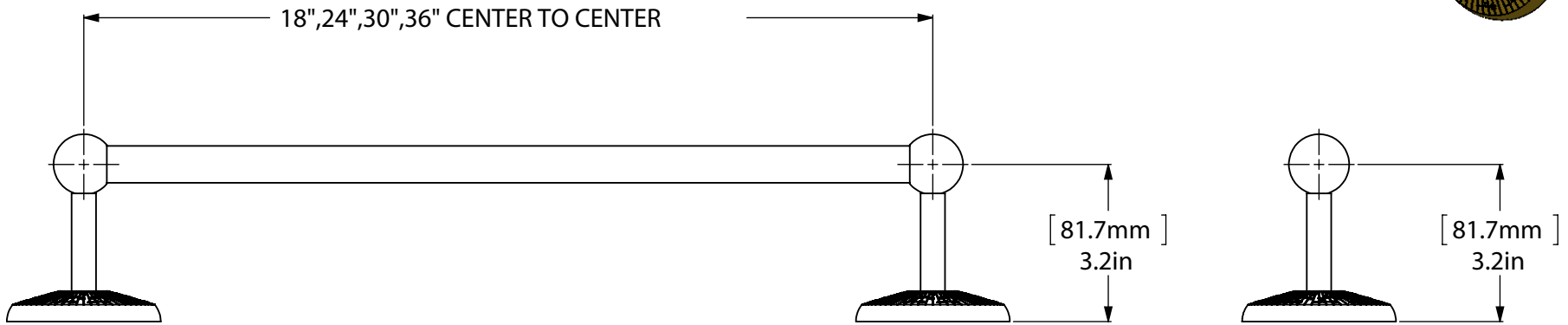
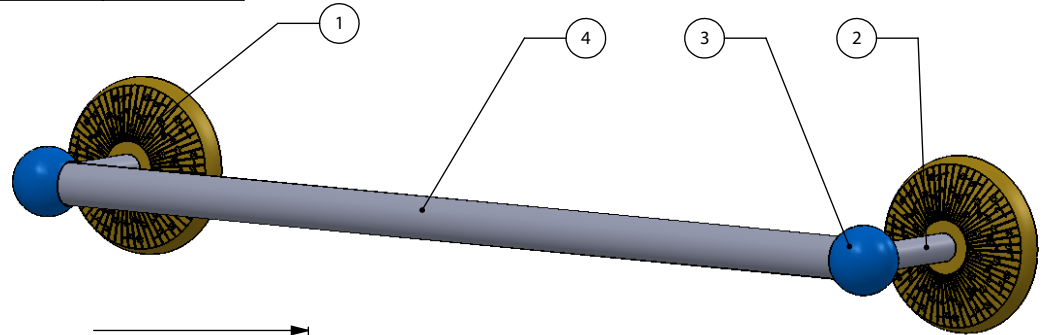


ITEM NO.	PART NUMBER	DESCRIPTION	QTY.
1	BPMC	Base	2
2	TU12-2	Support	2
3	BL34ST-1.25	Lock	2
4	TU34-18",24",30",36"	Tube	1



**APPROVED FOR PRODUCTION**  
 By: RICHARD PAUL  
 Date: 4-9-19

UNLESS OTHERWISE SPECIFIED	
.X	± .3mm
.XX	± .15mm
.XXX	± .008mm

DRAWN 4-9-19 IM		COPYRIGHT @ALLIEDBRASS 2019	CHECKED 4-9-19 P.D.	
APPROVED 4-9-19 R.A.			THIRD ANGLE PROJECTION	

MATERIAL:	BRASS
DESCRIPTION:	Prestige Monte Carlo Collection Towel Bar



FINISH	TBD
QTY	TBD
DRAWING NO.	PMC-41
SCALE	1.5:1
SHEET: 1 OF 1	REV 0